

OF | OLATHE FLEET

DATE: March 10th, 2026

To: Paul Martinez
Brazos County Sheriff's Office
PMartinez@brazoscountytexas.gov
(979) 361-4901

Subject: F550 Hostage Negotiation Truck

Olathe Fleet is pleased to quote the following sourced item(s) for your consideration. One (1) F550 Hostage Negotiation Truck supplied by Quality Vans & Specialty Vehicles at 2113 W. 7th Street Tempe AZ 85281.

CONTRACT PRICE

SUBTOTAL =	\$ 301,645
TAX (0.00) =	\$ 0.00
TOTAL =	\$301,645

This sourced item(s) is available under the **Sourcewell Contract# 32824**. Please reference this Bid Number on all Purchase Orders.

Thank you in advance for consideration and please let us know if you have any questions.

Sincerely,

Bryan Reeves

Bryan Reeves
Fleet Sales Manager
bryanreeves@olathefleet.com
D- 913-312-5398

1845 E SANTA FE • OLATHE KS 66062 • 913.781.0881

CARS TRUCKS VANS RECREATIONAL VEHICLES



Quality
Craftsmanship



Customer
Satisfaction



Durable &
Sustainable

Brazos County Sheriff's Office Negotiation Unit

Quality Vans & Specialty Vehicles

Point of Contact: Seth Virgin
Email: Seth@QualityVans.com | Phone: 480-464-7007 | Fax: 480-464-5999





Original: October 3rd, 2025
Revision 1: October 10th, 2025
Updated Pricing: February 6th, 2026
Updated Pricing: March 10th, 2026

Paul Martinez
Chief Deputy
PMartinez@brazoscountytexas.gov
(979) 361-4901

Re: Brazos County Negotiation Unit

Quality Vans & Specialty Vehicles (QVSV) is pleased to present our proposal in response to your request for a HNT unit with your provided specifications. We developed our proposal layout based on your requests, specifications, and pictures; however, our proposed design can be further adjusted to meet your needs as desired. Enclosed is our proposal for your review.

Quality Vans & Specialty Vehicles has been in business since 1974. We are highly experienced in the design and manufacture of specialty vehicles for all types of uses including medical units, law enforcement, federal agencies, medical facilities, municipal agencies, and commercial applications. We maintain a staff RVIA certified technician and AWS certified structural welders. Our employees have experience in all aspects of the specialty vehicle manufacturing business, and we have an outstanding reputation for delivering rugged, quality-built vehicles at exceptional value. We are a registered vendor on the Federal SAM site with UEI #N33XH2APDNJ4, CAGE Code 6TWF5, and DUNNS # 116940885. In addition, we are GSA Contract holders on MAS Consolidated contract #GS-30F-010GA.

We operate out of a modern and fully equipped manufacturing facility in Phoenix, Arizona. Our facility is conveniently located just ten (10) minutes from Phoenix's Sky Harbor International Airport. You are encouraged to visit our web site at www.QualityVans.com to see additional examples of the different types of HNT units we have delivered. We look forward to collaborating with your team to build the highest quality negotiation unit.

Please feel free to contact me with any questions or if I may provide further assistance.

Best regards,

Seth Virgin

Seth Virgin
Quality Vans & Specialty Vehicles (QVSV)
2113 W 7th Street Tempe, AZ 85281
(480) 464-7007
Seth@QualityVans.com www.QualityVans.com
CAGE Code 6TWF5 GSA MAS Consolidated #GS-30F-010GA





Table of Contents

Qualifications	4
Technical Approach	7
Specifications and Build Information	9
Pricing	12
Project Schedule	13
Upgrade Options	14
Acceptance	15
Exhibit A – Base Bid Drawings	16
Exhibit B – Similar Project Photos	17



Qualifications

Our primary line of business is the design and manufacture of specialty vehicles for all types of uses including law enforcement, federal agencies, medical facilities, commercial enterprises, and municipal agencies. We supply law enforcement with mobile command centers, mobile operation centers, DUI units, SWAT vans, EOD vehicles, hazmat response, counter drug vans, interoperability and communications vehicles, prisoner transport vehicles, hostage negotiation units, and more. Each unit is specifically designed and fabricated to meet the client's exact needs and specifications as well as provide a versatile vehicle that is adaptable and updatable for years of reliable service. We are experienced building on numerous platforms and have earned Daimler's Master Upfitter Status. Our current team is comprised of 35 in-house, full-time members. Our production team has skill sets ranging from metal fabrication, custom cabinet craftsmanship, and electronics/installation. These core competencies allow us to constantly expand our product base to meet the growing market for mobile solutions.



Quality Vans & Specialty Vehicles is a certified Mercedes Benz Master Upfitter and we are a registered vendor on the Federal SAM site with UEI #N33XH2APDNJ4, CAGE Code #6TWF5, and DUNNS #078693888. In addition, we are a GSA Contract holder on MAS Consolidated # GS-30F-010GA.

Manufacturing Facility

Quality Vans & Specialty Vehicles has two modern manufacturing facilities in Arizona with headquarters in Tempe, Arizona and 3 acres of manufacturing space. Our facility is conveniently located just ten minutes from Phoenix's Sky Harbor International Airport. We welcome you to schedule an appointment to join us for a site visit at 2113 W. 7th Street, Tempe, AZ 85281.





Firm Structure

Quality Vans & Specialty Vehicles has been a family-owned company since 1974 and prides itself on providing the highest quality specialty vehicles around the world with skillful American Manufacturing. The Company's ~40 employees work closely together to ensure projects are delivered on time, on budget and exceed expectations.



Experience

Quality Vans & Specialty Vehicles started business in 1974 and completed over 200 projects within the past 3 years alone. We have designed and built numerous medical, municipal, police, and emergency related vehicles. The types of vehicles we have built range from health screening, maternity testing, and recycling education to public safety vehicles such as Prisoner Transport, SWAT Team, Explosive Ordinance Trucks, DUI Enforcement/Testing, Mobile Command and Covert Surveillance Vehicles. We have built units on an array of bases including vans, trailers, box trucks, cab chassis, motor homes, and motor coaches.

The vehicle's internal layout and preferred specifications are designed based on detailed CAD drawings. From there, we begin building and upfitting the custom vehicle. We install generators, air conditioning, electrical, plumbing, cabinets, and unique customer-specified equipment. All our cabinets are built in house in our cabinet shop and all the metal fabrication is done in house in our metal fabrication shop. Formaldehyde-free plywood is used inside all our units so that each one is environmentally friendly and has a safe workplace.

We maintain a staff of RVIA certified technicians and AWS certified structural welders. Our employees have extensive experience in all facets of the specialty vehicle manufacturing business, and we enjoy an outstanding reputation for delivering rugged, quality-built vehicles at exceptional value.





Key Personnel Information

Luke Alm, President

Luke's hands-on vehicle expertise is extensive; dating back to when he was young working on vehicles and trailers alongside his dad. He has overseen the development, preliminary engineering, and other aspects of over \$250MM of federal, municipal, and commercial projects resulting in pleased repeat customers. Luke supports the management team to ensure that employees are successful, and customers are happy with the highest quality specialty vehicles.

Dave Rabuck, Sales Manager

Dave has been working in sales of specialty vehicles since 1995. He oversees all company sales and sales personnel, establishes pricing, and administers company GSA contract schedule. He works together with customers, investigating their needs and finding solutions for their custom trailer specifications and budget.

Thomas Ragland, Director of Sales & Operations

Tom has been with the company since 2019 and had a background in sales and custom engineered ordering products since 2001. With his past experience coming up through all aspects of production he is an integral part of the company's sales and operations.

Jim Nossett, Director of Procurement & Production

Jim has had professional experience in the repair and manufacturing of all types of Specialty Vehicles since 1983. He has an associate degree in Cabinet and Millwork, Certified RVIA (Recreation Vehicle Industry Association) Technician and Braun Certified. Jim has an eye for detail and an innovative approach to specialty vehicle manufacturing. He has an unmatched ability to anticipate and exceed the customers' needs and is known for his problem-solving abilities, excellent customer communication, and inventive solutions. He faces obstacles head on and has a creative mind.

Lee Miller, Purchasing Manager

Lee has had experience in recreational, automotive, and specialty vehicle parts research and purchasing since 1986. He has worked with a wide variety of manufacturers and suppliers in the recreational vehicle, automotive, handicap, and industrial fields. His responsibilities include materials research, product requisition, issue purchase orders, receive inventory, schedule appointments, and customer service. He also works in accounts payable and accounts receivable.

Earl Jones, Proposal Specialist/Inside Sales

Earl brings over 20 years of sales and customer service experience to Quality Vans & Specialty Vehicles, specializing in crafting proposals for custom-built vehicle projects. He collaborates closely with sales and production teams to drive customers' projects, leveraging his customer-centric approach and attention to detail to support the company's mission of delivering high-quality, custom specialty vehicles.

Seth Virgin, Specialty Vehicle Consultant

Seth brings a strong foundation in client-focused project management to Quality Vans & Specialty Vehicles. He works to guide customers through custom specialty vehicle and trailer projects. Seth has experience analyzing designs and progressing projects for municipalities, federal entities, schools, utilities, retail, and commercial clients. His skills in identifying needs and delivering tailored solutions ensure seamless support throughout the project. Committed to quality experience, Seth employs a consultative method for individuals and organizations in need of specialty vehicles and trailers.





Technical Approach

Quality Vans & Specialty Vehicles (QVSV) will provide the program / project management role along with manufacturing. In this role, QVSV will be the primary interface and advocate for our customers to ensure that their project is completed on schedule, within approved cost, to specification, and exceeds expectations. QVSV program / project management, contract management, manufacturing experience and teaming portfolio provide a special ingredient to ensure success.

Customer advocacy has contributed to over 200 successful projects within the past 3 years alone. QVSV has designed and built numerous medical, municipal, police, and emergency related vehicles. These vehicles have ranged from health screening, maternity testing, and recycling education to public safety vehicles such as prisoner transport, SWAT Team, Explosive Ordinance Disposal trucks, DUI enforcement, Mobile Command, and Surveillance vehicles. The QVSV leadership team has assembled a highly skilled workforce providing engineering services and superior craftsmanship to ensure a quality-built product featuring the latest in technology and methodology guaranteed to last for years to come.

With over 50+ years of manufacturing, project management, wholesale distribution, engineering and technology experience QVSV, along with the combined efforts of the staff assembled by the leadership experience, continues to provide quality products and superior service. We invite you to visit our website at www.qualityvans.com for additional examples of successful projects.

Delivering high quality vehicles which consistently meet or exceed our customers' expectations starts with QVSV's leadership and staff. We maintain a staff of Recreation Vehicle Industry Association (RVIA) certified technicians and American Welding Society (AWS) certified structural welders. In addition, QVSV has been designated by Mercedes Benz Sprinter as a "Certified Master Upfitter." Our employees have extensive experience in all facets of specialty vehicle design and manufacturing, and we have an outstanding reputation for delivering rugged, quality-built vehicles at an exceptional value.

Design and Manufacturing

QVSV utilizes the latest Computer Aided Design (CAD) for the development of specialty vehicles. After the initial design is complete, QVSV works with the customer to fine tune the layout and interior configuration to best suit their needs. Our experience in designing and manufacturing produces vehicles that utilize space efficiently and effectively.

Metal Fabrication

QVSV has in-house metal fabrication for custom interiors, exteriors, compartments and storage cabinets. We can bend, cut, and form steel and other high-end metals to add value and durability to your mobile environment.

Building and Installing Cabinets

QVSV's in-house woodworking shop designs and builds custom cabinetry, shelving, and other wood-based applications. Our woodworkers create sturdy, detail-oriented, and high-quality solutions that both work and look great.





Electrical Wiring and Design

QVSV is experienced in electrical wiring and design. We have the prerequisite expertise to upfit any vehicle with 120/240-volt AC, 12volt DC, audio, video, computer networks systems, and emergency lighting.

Spray Foam Insulation

QVSV uses spray foam insulation because it adheres to the surface of the vehicle and adds to the overall integrity. Spray foam is moisture resistant and doesn't shift or fall inside the walls like bat insulation. Our spray foam insulation has an R-rating of 7 per inch. R-value is a measure of thermal resistance used in the building and construction industry. It is the ratio of the temperature difference across an insulator and the heat flux (heat flow per unit area). Higher R-ratings translate to better insulation.

Generator Installation

QVSV can do custom generator installation for any mobile application. We offer gas, diesel, and propane options that supply power at 120 or 240 voltages. We are a Cummins® Onan® certified sales and service center.





Specifications and Build Information

▪ **Base Build**

- Ford F550 chassis with 18' QVSV built box
- 18'L x 90" H 96"W Aluminum taped van body mounted on chassis.
 - Includes a 3' x 3' attic above cab for additional storage.
- Foam insulates interior walls and ceiling with min 1" spray foam and R12 value.
- 32" entry door curbside with integrated step well.
- One (1) 30" Window in rear room to be emergency egress.
- Ceiling and walls covered with spray in insulation 1" even coverage
- Walls, ceiling, floor covered with ½" plywood and finished with whiteboard material on the upper region and carpet on the lower.
- Interior insulated room divider wall with pocket door per drawings covered with FRP (fiberglass reinforced plastic) /dry erase board, insulated for sound abatement. Lower portion of walls covered with commercial carpet
- All interior floors are to be finished in Loncoin flooring.
- Finished ceiling to be sound absorbing, commercial grade grey fabric.
- All areas where countertops, cabinets, bulkheads and walls meet to be custom finished to fit.
- All cabinet doors have positive type latches to prevent accidental opening while vehicle is in motion and interior gas supports. No fiberboard in construction of cabinetry.

▪ **Electrical**

- 7 kW Commercial gas generator mounted in external compartment and plumbed to chassis fuel tank. Generator will be plumbed to leave min 15% of fuel for chassis.
- 50 amp with transfer switch and 30' 50-amp shore cord with adapters
- 110v AC electrical system including breaker panel.
- 12-volt electrical panel
- Supply and install four (4) 24" LED lights per drawing, wall switched in each room.
- Supply and install five (5) 6" round LED work lights per drawing.
- One (1) Duplex outlet at each workstation and 6 additional outlets location TBD.
- Two +(2) roof mounted 15000 BTU Coleman-Mach8 low profile A/C units with 6,000 BTU heat strips.
- 12v DC Electrical system.
- Electric entry step
- Axillary battery system
- Four (4) Exterior LED scene lights.
- Whelen LED red/blue M-9lights 10 total
- Whelen siren/speaker/controller
- Red/blue Ion 2 grill light
- Perimeter camera system





▪ **Front Room**

- Four (4) custom fabricated workstations including overhead cabinets. Laminate top with finished laminate edges, color TBD.
- Four (4) adjustable ergonomic office type chairs, with pneumatic height control, swivel pedestal and five (5) caster wheels
- Custom standing counter with 19" equipment rack and under counter fridge. Location for printer, laminates to match workstations.
- Four (4) 32" monitors
- One (1) under the counter mini-fridge
- One (1) ceiling escape hatch

▪ **Rear Room**

- Rear work area for two positions with flip up including overhead cabinets. Laminate top with finished laminate edges, color TBD. Per drawing.
- Two (2) adjustable ergonomic office type chairs, with pneumatic height control, swivel pedestal and five (5) caster wheels
- Counter supplied negotiator equipment installed.
- Provide and install cable pass through hatch, location TBD
- Two (2) 32" monitors

▪ **Exterior**

- Four exterior LED Scene lights
- Dual roof antennas with entrance point
- Four exterior storage boxes size and location TBD.
- Electric reel in compartment to store customer's cable
- One (1) electric awning located on the curbside of the vehicle

▪ **Safety**

- Smoke and carbon dioxide detector
- Fire extinguisher
- Height stickers





QUALITY VANS
&
SPECIALTY VEHICLES

"Putting your world on wheels" since 1974

Warranty

1. All conversion work performed by Quality Vans & Specialty Vehicles is warranted for one (1) year or 12,000 miles. Questions regarding specific warranty claims should be directed to Quality Vans & Specialty Vehicles. All warranty work and service for upfit can be arranged by calling Quality Vans & Specialty Vehicles at (480) 464-7007.
2. All equipment, major components, and sub-assemblies (such as emergency lighting, generators, air conditioners, computers, etc.) installed on the vehicle or purchased with the vehicle, shall be covered by the warranty of the manufacturer of such equipment or component.

Quality Statement

Quality Vans & Specialty Vehicles intends to provide a Ford Transit with full manufacturer warranty as well as our standard warranty on our upfit of the interior/exterior. We believe with our offer we can provide your agency with a fully customized solution for your needs that will provide many more years of life as well as have the turnkey solutions your agency desires. Additionally, the unit will be designed so that it can be used in additional applications of your agency with little to no alterations. We strongly urge you to consider our offer that will better serve your agency's needs.





Pricing

	Final Price
F550 with 18' Box HNT Unit	\$ 301,645

Assumptions

- All pricing does not include any applicable Sales Tax or Vehicle Licensing.
- Shipping costs to 1700 Hwy 21 W, Bryan, TX 77803 are included.
 - To comply with TX law, Brazos County Sheriffs office will need to accept and take ownership of the upfitted vehicle in AZ. From there you can arrange transportation for the vehicle through QVSV or make other arrangements.
 - Title and Registration will be the sole responsibility of Brazos County and costs are not included in the above pricing.
- Cancellation fees may be applicable if the project is canceled following the start of the project and/or acceptance of a signed SOW.
- All potential manufacturer rebates are retained by Quality Vans & Specialty Vehicles.
- This quote is valid for 60 days from date listed above.

Payment Terms

QVSV requests a 50% deposit due upon proposal acceptance or PO issuance. Full balance due upon vehicle completion.

or

If milestone payment terms are preferred, these are our proposed milestones for physically completed work:

- 34% due at vehicle chassis ordered.
- 33% due at major components received onsite.
- 33% due at final completion / acceptance.

or

If other terms are needed, we're happy to discuss.

If the project is delayed by the customer, then Quality Vans & Specialty Vehicles reserves the right to request additional progress payments for work completed at time of progress invoice.





Project Schedule

Production time to build the quoted unit will be dependent on the unit selected and is estimated to be 110 -160 days from the receipt of chassis.

Ford just announced their final 2026 order due date as May 1st, 2026. All this means is that after May 1st we can no longer order a new 2026 chassis. They will open up ordering again from August 2026 - May 2027 for the 2027 model year. Current lead times on a chassis are about 90 days. If we get your order by May 1st, we will see the chassis come in mid to late July at which time we could mount the QVSV made box to the chassis and start on the interior build.

In the event we don't submit an order before the cutoff, we have two options. The first would be to look at dealerships across the nation to see if we can find a chassis that meets this project's specifications. The second would be to wait and order a 2027 model year F550 when Ford reopens ordering in August 2026.

The start date for the purpose of scheduling your project on our production line shall be dependent on the following items:

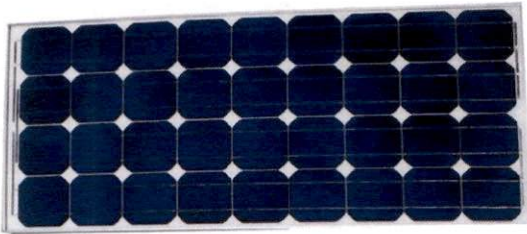
- QVSV receipt of your signed Purchase Order, Contract, or QVSV Proposal.
- All initial design details and questions answered between customer and QVSV.
- Receipt of any deposits required by the QVSV proposal.
- Delays by customer impacting delivery schedule. **
- Notification of date that vehicle chassis is scheduled for delivery to QVSV's facility.



Upgrade Options

QVSV is happy to provide additional vehicle customizations as desired. Here are just a few examples of options that other customers like to add to their vehicles. The cost for these items would be additional.

- Solar panel and battery maintainer system. This will keep the batteries charged when the vehicle is not plugged in.
- Lithium-ion batteries. This will provide additional battery capacity and longer battery life.
- Solar panel and inverter system. This will allow the vehicle to fully operate without the need to turn on the generator.





Acceptance

Original: October 3rd, 2025
Revision 1: October 10th, 2025
Updated Pricing: February 6th, 2026
Updated Pricing: March 10th, 2026

Paul Martinez
Chief Deputy
PMartinez@brazoscountytexas.gov
(979) 361-4901

Re: Brazos County HNT Unit

Thank you for the opportunity to bid on your negotiation unit project. By accepting our proposal, we guarantee you are choosing the best team for the job. We take pride in our high level of customer service and our lines of communication are always open. If we are the successful bidder for your project and you wish to accept our offer, please provide us with one of the following: 1) your signed purchase order; 2) a signed contract from your organization; or 3) sign below and return it to our office.

We look forward to working with you in the very near future. Please contact us if we can provide any further assistance.

Best regards,

Seth Virgin

Seth Virgin
Quality Vans & Specialty Vehicles (QVSV)
2113 W 7th Street Tempe, AZ 85281
(480) 464-7007
Seth@QualityVans.com www.QualityVans.com
CAGE Code 6TWF5 GSA MAS Consolidated #GS-30F-010GA

Customer Acceptance:

Customer Signature

Date





QUALITY VANS
&
SPECIALTY VEHICLES

"Putting your world on wheels" since 1974

Exhibit A – Base Bid Drawings

Please see the following pages for the proposed vehicle drawings

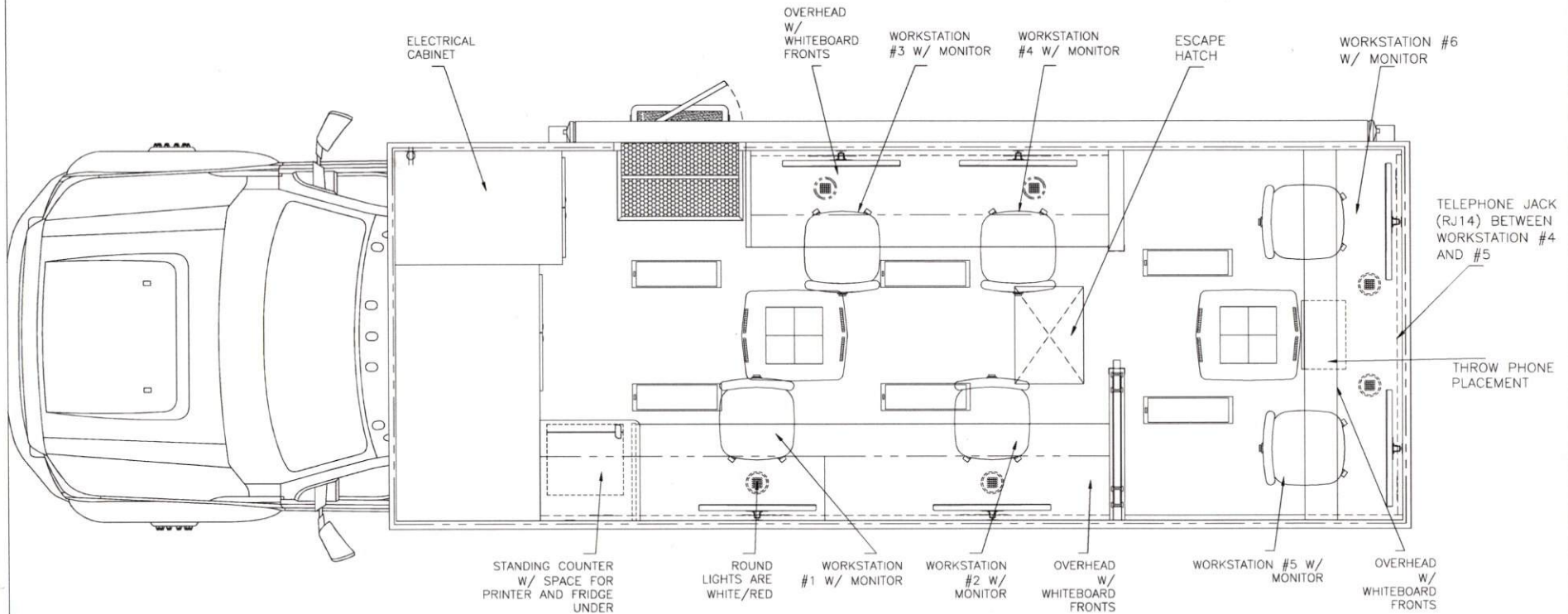
Quality Vans & Specialty Vehicles
2113 W 7th St. Tempe, AZ 85281

sales@qualityvans.com | 480.464.7007

qualityvans.com



REVISIONS				
ZONE	REV	DESCRIPTION	DATE	APPROVED
	0	CONCEPTION	10/09/2025	



Conceptual layout all components to be determined and finalized at pre-build meeting.



2113 W 7th St
Tempe, AZ 85281

Ph. 480-464-7007

www.qualityvans.com

Brazos County Mobile
HNT Vehicle

DRAWN BY:
KRS

View

Floorplan

REV

SCALE

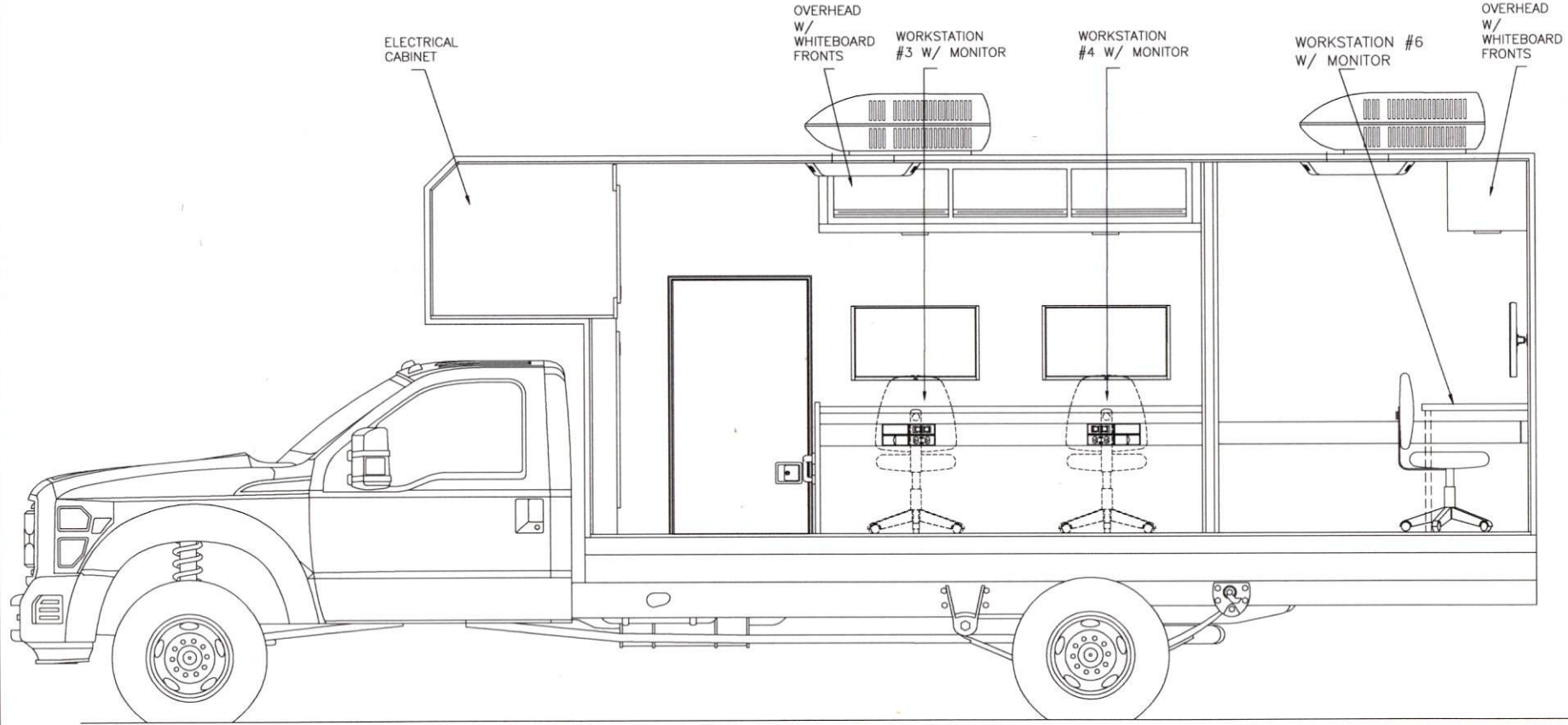
NTS

SHEET **1 OF 8**

This drawing and the design represented herein are the exclusive property of Quality Vans & Specialty Vehicles. All rights protected under the U.S. Copyright Act of 1976.

N:\1 - bids_proposals\3 - BID_CATEGORIES\Law Enforcement\Team\Brazos County HNT Unit\Drawings\Brazos County Mobile HNT Vehicle.dwg
3/4/2015

REVISIONS				
ZONE	REV	DESCRIPTION	DATE	APPROVED
	0	CONCEPTION	10/09/2025	



Conceptual layout all components to be determined and finalized at pre-build meeting.

This drawing and the design represented herein are the exclusive property of Quality Vans & Specialty Vehicles. All rights protected under the U.S. Copyright Act of 1976.



QUALITY VANS & SPECIALTY VEHICLES
 2113 W 7th St
 Tempe, AZ 85281

Brazos County Mobile HNT Vehicle

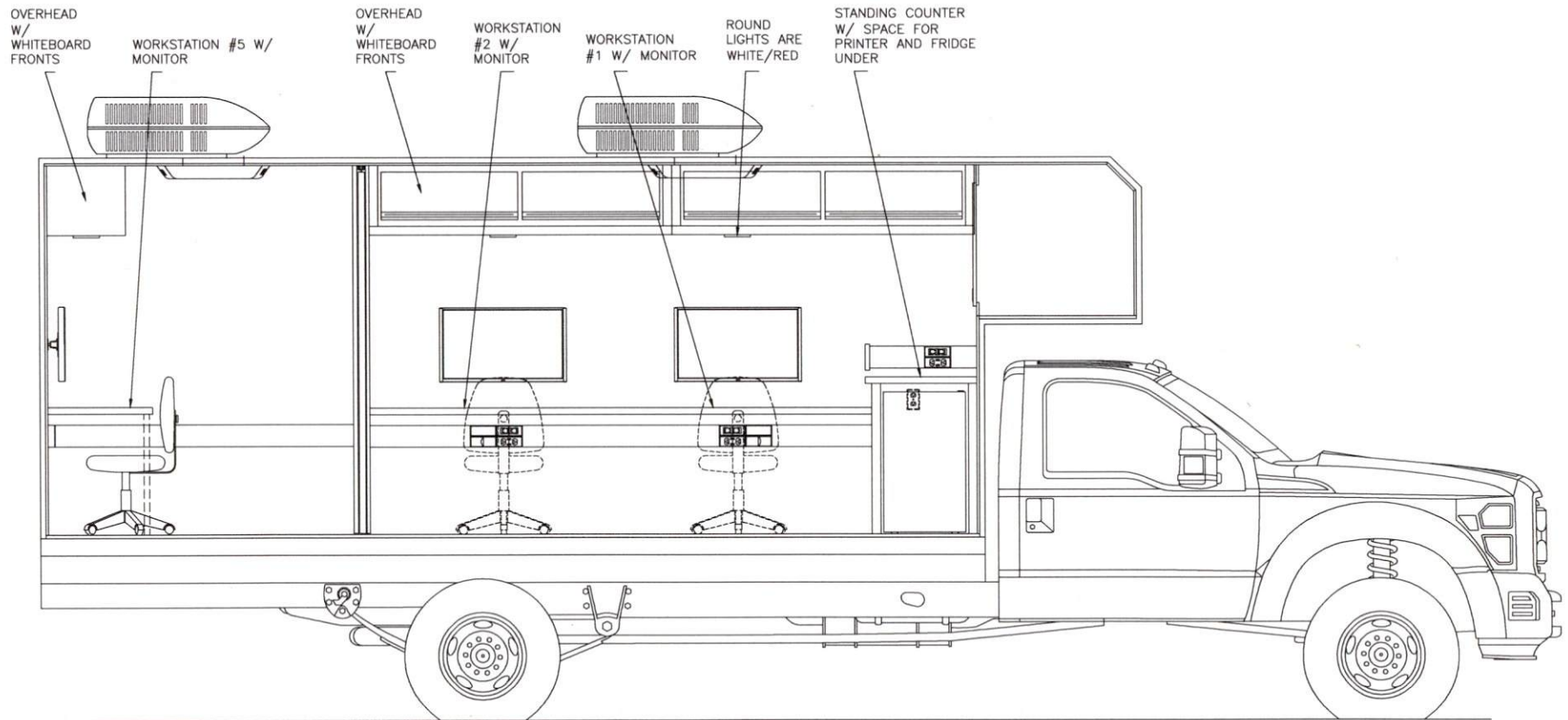
Ph. 480-464-7007
www.qualityvans.com

DRAWN BY:
KRS
 SCALE NTS

View
Curbside Interior
 SHEET **2 OF 8**

N:\1 - bids_proposals\2 - BID CATEGORIES\Law enforcement\Brazos County HNT Unit\Drawings\Brazos County Mobile HNT Vehicle.dwg
 3/4/2015

REVISIONS				
ZONE	REV	DESCRIPTION	DATE	APPROVED
	0	CONCEPTION	10/09/2025	



Conceptual layout all components to be determined and finalized at pre-build meeting.

This drawing and the design represented herein are the exclusive property of Quality Vans & Specialty Vehicles. All rights protected under the U.S. Copyright Act of 1976.



2113 W 7th St
Tempe, AZ 85281

Ph. 480-464-7007

www.qualityvans.com

DRAWN BY:
KRS

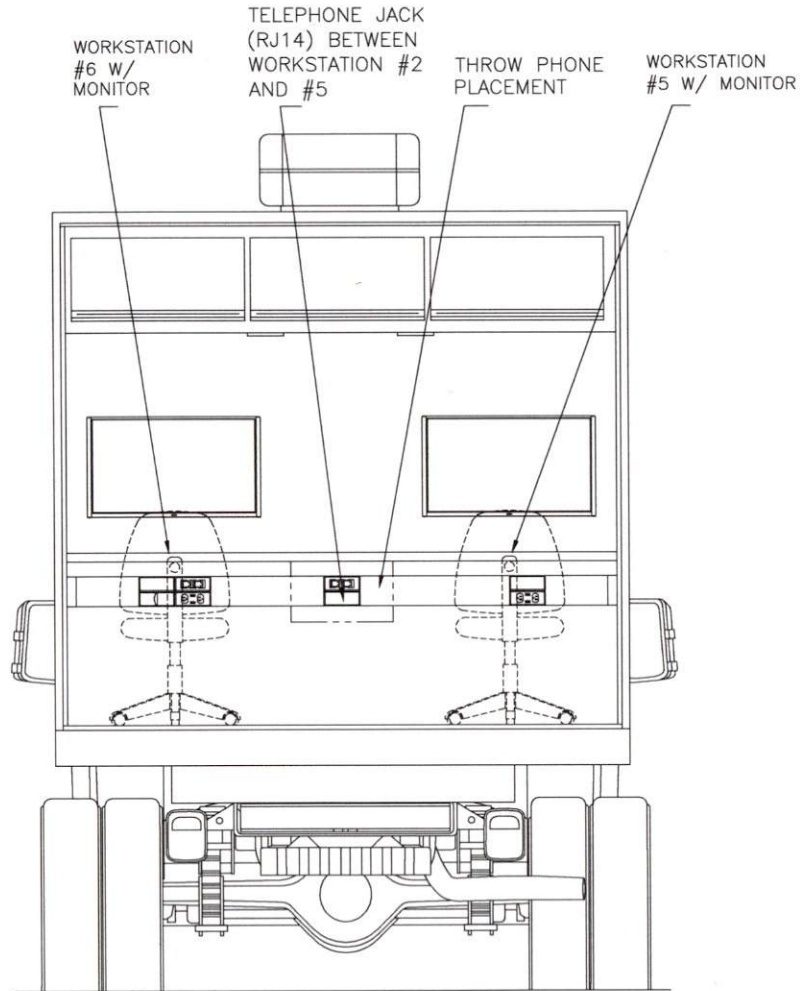
SCALE NTS

View **Streetside Interior** REV

**Brazos County Mobile
HNT Vehicle**

SHEET **3 OF 8**

N:\1 - bids_proposal\3 - BID CATEGORIES\Law enforcement\Texas\Brazos County HNT Unit\Drawings\Brazos County Mobile HNT Vehicle.dwg
 3/4/2015



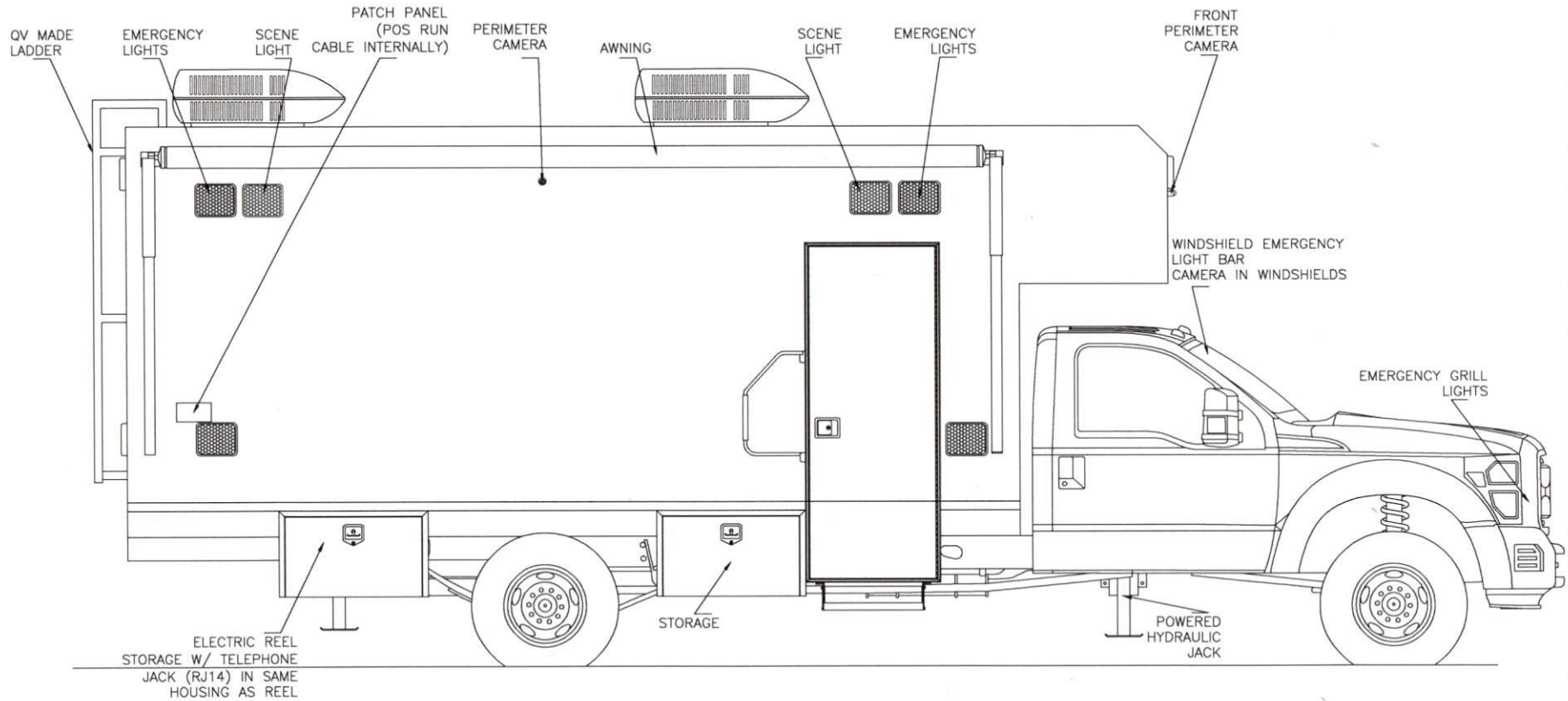
REVISIONS				
ZONE	REV	DESCRIPTION	DATE	APPROVED
	0	CONCEPTION	10/09/2025	

Conceptual layout all components to be determined and finalized at pre-build meeting.

This drawing and the design represented herein are the exclusive property of Quality Vans & Specialty Vehicles. All rights protected under the U.S. Copyright Act of 1976.

QUALITY VANS & SPECIALTY VEHICLES		Brazos County Mobile HNT Vehicle	
2113 W 7th St Tempe, AZ 85281		Ph. 480-464-7007	
DRAWN BY: KRS	View Rear Wall	REV	SCALE NTS
www.qualityvans.com	SHEET 4 OF 8		

REVISIONS				
ZONE	REV	DESCRIPTION	DATE	APPROVED
	0	CONCEPTION	10/09/2025	



Conceptual layout all components to be determined and finalized at pre-build meeting.



2113 W 7th St
Tempe, AZ 85281

Ph. 480-464-7007

www.qualityvans.com

Brazos County Mobile
HNT Vehicle

DRAWN BY:
KRS

View

Curbside Exterior

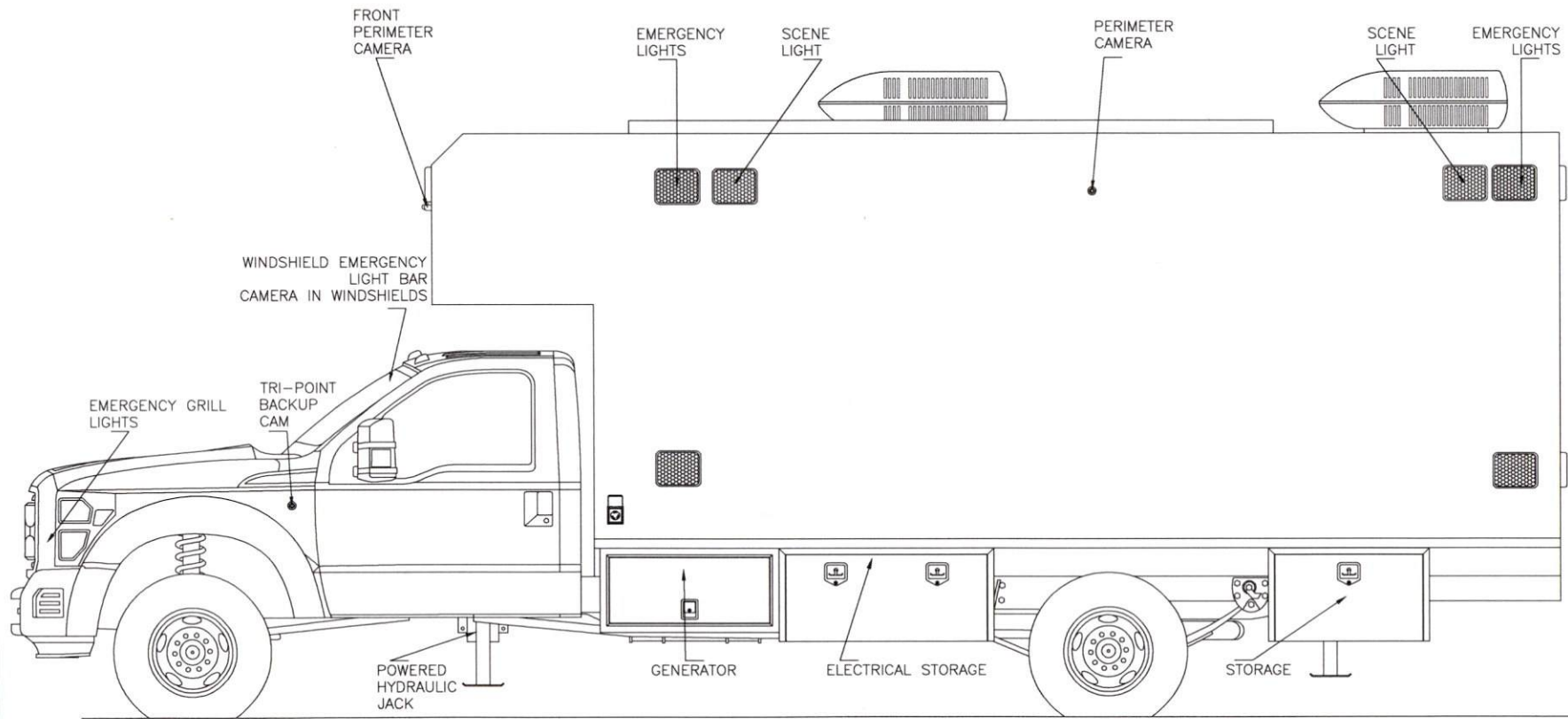
REV

SCALE NTS

SHEET 5 OF 8

This drawing and the design represented herein are the exclusive property of Quality Vans & Specialty Vehicles. All rights protected under the U.S. Copyright Act of 1976.

REVISIONS				
ZONE	REV	DESCRIPTION	DATE	APPROVED
	0	CONCEPTION	10/09/2025	



Conceptual layout all components to be determined and finalized at pre-build meeting.

This drawing and the design represented herein are the exclusive property of Quality Vans & Specialty Vehicles. All rights protected under the U.S. Copyright Act of 1976.



2113 W 7th St
Tempe, AZ 85281

Ph. 480-464-7007

www.qualityvans.com

Brazos County Mobile
HNT Vehicle

DRAWN BY:
KRS

View

Streetside Exterior

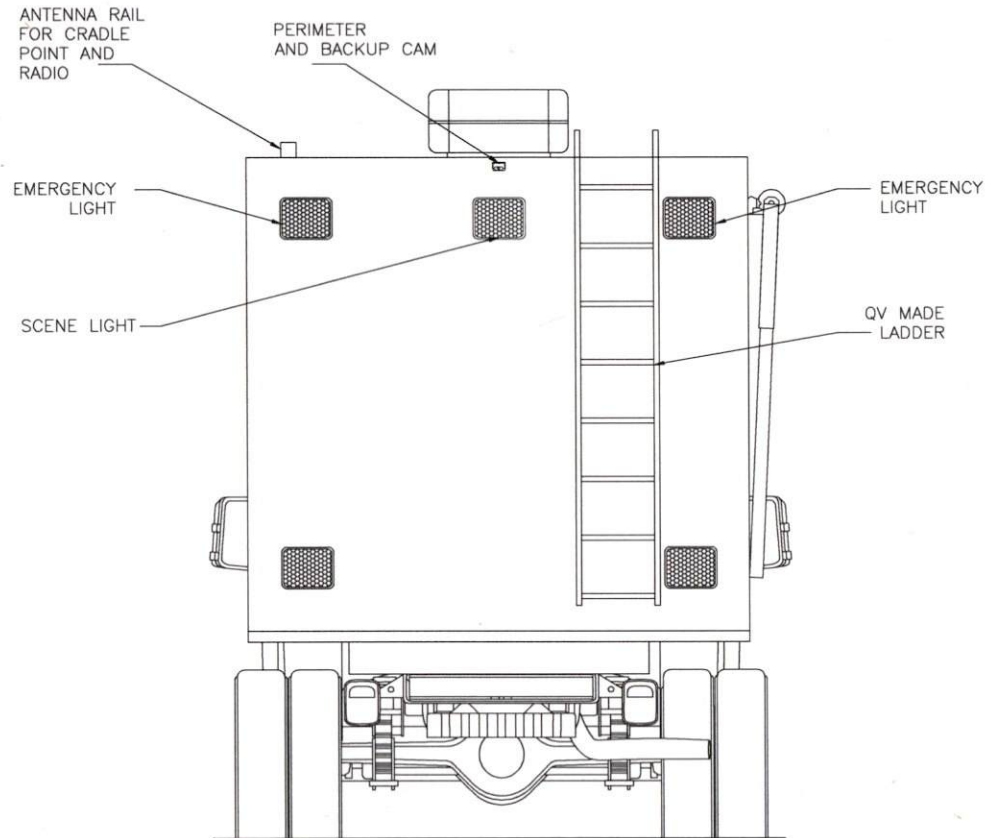
REV

SCALE NTS

SHEET **6 OF 8**

N:\1 - bid_proposals\3 - BID CATEGORIES\Law enforcement\Yessie Brazos County HNT Unit\Drawings\Brazos County Mobile HNT Vehicle.dwg
 3/4/2015

REVISIONS				
ZONE	REV	DESCRIPTION	DATE	APPROVED
	0	CONCEPTION	10/09/2025	



Conceptual layout all components to be determined and finalized at pre-build meeting.

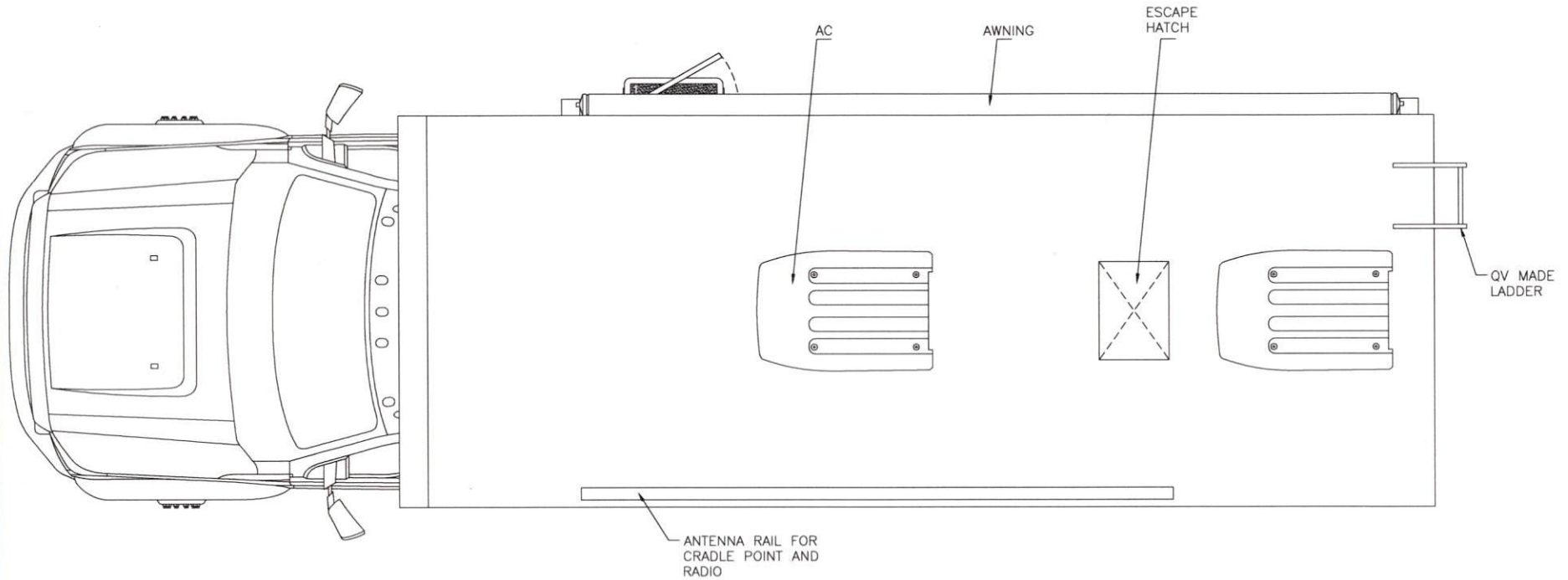
QUALITY VANS & SPECIALTY VEHICLES
 2113 W 7th St
 Tempe, AZ 85281

Brazos County Mobile
 HNT Vehicle

This drawing and the design represented herein are the exclusive property of Quality Vans & Specialty Vehicles. All rights protected under the U.S. Copyright Act of 1976.

Ph. 480-464-7007	DRAWN BY: KRS	View Rear Exterior	REV
www.qualityvans.com	SCALE NTS	SHEET 7 OF 8	

REVISIONS				
ZONE	REV	DESCRIPTION	DATE	APPROVED
	0	CONCEPTION	10/09/2025	



Conceptual layout all components to be determined and finalized at pre-build meeting.

This drawing and the design represented herein are the exclusive property of Quality Vans & Specialty Vehicles. All rights protected under the U.S. Copyright Act of 1976.



2113 W 7th St
Tempe, AZ 85281

Ph. 480-464-7007

www.qualityvans.com

Brazos County Mobile
HNT Vehicle

DRAWN BY:
KRS

View

Roof

REV

SCALE NTS

SHEET 8 OF 8

Exhibit B – Similar Project Photos

Please see the following pages for recent examples of similar projects manufactured by QVSV. Additional examples can be found here: <https://www.QualityVans.com/>





QUALITY VANS
&
SPECIALTY VEHICLES

"Putting your world on wheels" since 1974



Quality Vans & Specialty Vehicles
2113 W 7th St. Tempe, AZ 85281

sales@qualityvans.com | 480.464.7007

qualityvans.com





**QUALITY VANS
&
SPECIALTY VEHICLES**

"Putting your world on wheels" since 1974



Quality Vans & Specialty Vehicles
2113 W 7th St. Tempe, AZ 85281

sales@qualityvans.com | 480.464.7007

qualityvans.com







QUALITY VANS
&
SPECIALTY VEHICLES

"Putting your world on wheels" since 1974



Quality Vans & Specialty Vehicles
2113 W 7th St. Tempe, AZ 85281

sales@qualityvans.com | 480.464.7007

qualityvans.com





QUALITY VANS
&
SPECIALTY VEHICLES

"Putting your world on wheels" since 1974



Quality Vans & Specialty Vehicles
2113 W 7th St. Tempe, AZ 85281

sales@qualityvans.com | 480.464.7007

qualityvans.com





**QUALITY VANS
&
SPECIALTY VEHICLES**

"Putting your world on wheels" since 1974



Quality Vans & Specialty Vehicles
2113 W 7th St. Tempe, AZ 85281

sales@qualityvans.com | 480.464.7007

qualityvans.com





QUALITY VANS
&
SPECIALTY VEHICLES

"Putting your world on wheels" since 1974



Quality Vans & Specialty Vehicles
2113 W 7th St. Tempe, AZ 85281

sales@qualityvans.com | 480.464.7007

qualityvans.com





QUALITY VANS
&
SPECIALTY VEHICLES

"Putting your world on wheels" since 1974



Quality Vans & Specialty Vehicles
2113 W 7th St. Tempe, AZ 85281

sales@qualityvans.com | 480.464.7007

qualityvans.com





QUALITY VANS
&
SPECIALTY VEHICLES

"Putting your world on wheels" since 1974



Quality Vans & Specialty Vehicles
2113 W 7th St. Tempe, AZ 85281

sales@qualityvans.com | 480.464.7007

qualityvans.com





QUALITY VANS
&
SPECIALTY VEHICLES

"Putting your world on wheels" since 1974

We supply law enforcement with mobile command and mobile ops centers, DUI units, SWAT vans, bomb response (EOD) vehicles, HazMat response vehicles, counter-drug vans, interoperability and communications vehicles, prisoner transport, hostage negotiation units, mass casualty triage trailers, and more. We also offer renovation packages to repurpose your current vehicle. The layout of your vehicle can be redesigned to be more efficient and work like a brand-new unit for a fraction of the cost. A variety of platforms can be built upon including motor coaches, trailers, vans, and box trucks. We will work with you to determine what platform and configuration works best for your needs and budget. Our goal is to go above and beyond department requirements and we stand behind our vehicles. You are invited to visit our website at www.QualityVans.com to see some of the vehicles we have built and delivered.

Quality Vans & Specialty Vehicles
2113 W 7th St. Tempe, AZ 85281

sales@qualityvans.com | 480.464.7007

qualityvans.com

